

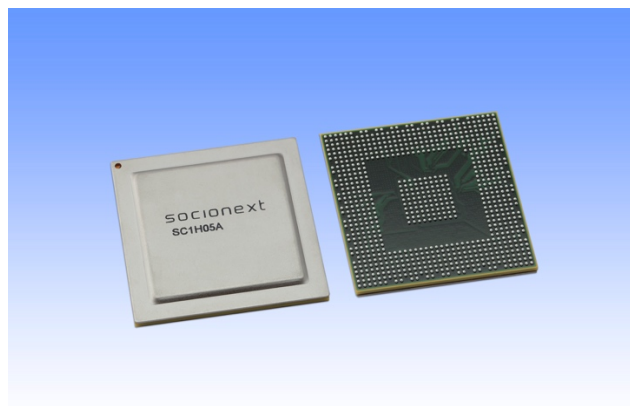
Socionext Develops World's First HDMI 2.1 Compatible Video Processing Chips

Boosts the Implementation of 8K video to TVs, Recorders, STBs and Others

Langen/Germany, 15. October, 2018 --- Socionext Inc. has developed its new 'HV5 series', a family of the world's first HDMI 2.1 compatible video processing ICs, designed for transmission and reception of 8K video. Socionext will provide live demonstrations of the HV5 series at the upcoming CEATEC Japan 2018, held in Makuhari, Chiba Japan starting October 16. The company will start shipping the HV5 products in March 2019.

The HDMI 2.1 specifications were defined in 2017. It has 48Gbps bandwidth, 2.7x of conventional HDMI 2.0, and enables the transmission of extremely large data sets, including 8K video, with very low latency, while maintaining high image and sound quality. Socionext has extensive knowledge in the development of data transmission technologies for consumer video equipment such as recorders and 4K TVs, as well as for high-speed, serial data transmission used in large-scale servers.

The HV5 series represents the industry's first video processing IC with built-in HDMI 2.1 compatible Tx / Rx. Leveraging the company's expertise, Socionext plans to propose a variety of video systems built around the HV5 series, including 8K TVs in Japan where the commercial 8K broadcasting will commence. The HV5, with ultra-high definition image characteristics, is also targeted for public signage and medical applications, among other uses. By promoting such applications, Socionext continues to be the technology and market leader in 8K video processing.



HV5 Series 'SC1H05AT1' (35mm x 35mm
FCBGA) ([view larger image](#))

For Press Inquiry

BlueBadger Ltd
Annie Shinn
Tel: +44-(0)1959-580308
E-mail: annie@bluebadger.eu

Socionext Europe GmbH
Mark Ellins
+49-6103-3745-382
mark.ellins@socionext.com

Socionext plans to expand the lineup of HV5 Series, with various combinations of input / output formats and the image processing functionalities. Socionext will exhibit HV5 series at the upcoming CEATEC Japan 2018, held in Makuhari, Chiba Japan starting October 16. Highlighted at the show will be the interface bridge chip, the SC1H05AC01, and the 8K TV video processing chip, the SC1H05AT1.

Visit Socionext booth at: Hall 5, Booth No. 008.

CEATEC Japan 2018: www.ceatec.com/en/

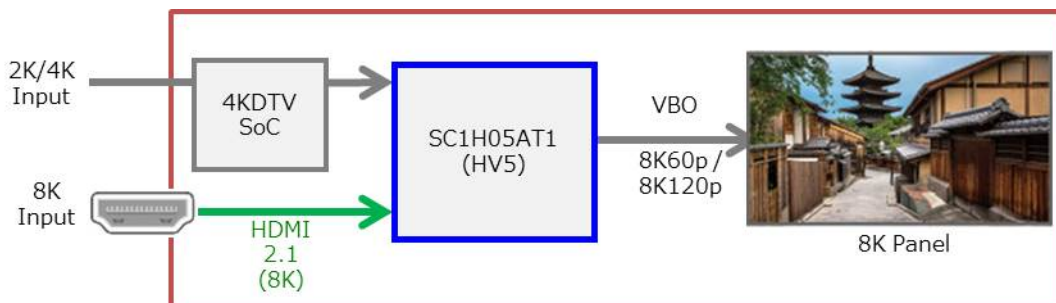
■ Interface Bridge Chip SC1H05AC Series

The SC1H05AC series is a family of interface bridge ICs, which enable transmission of 8K video with built-in HDMI 2.1 Tx. The SC1H05AC01 is for HDMI 2.0 input, and the SC1H05AC02 for V-by-One® input. Existing 8K video equipment requires 4 lines of HDMI 2.0 cables to deliver 8K images, and that is one of the major restrictions for installation and handling of the equipment. SC1H05AC allows the connection with a single cable.

	SC1H05AC01	SC1H05AC02
Input Interface	HDMI 2.0 x 4	V-by-One® HS 4 Lane x 4
Output Interface	HDMI 2.1 x 1	HDMI 2.1 x 1

■ 8K TV Video Processing Chip SC1H05AT1

The SC1H05AT1 is optimized for the use in 8K TV sets. The device supports the Advanced BS 8K Broadcasting, which is scheduled to start in Japan later this year. It is also equipped with the video processing functionalities for 8K video inputs from external sources to meet the growing demand for 8K video content playback in the global market. SC1H05AT1 is applicable with V-by-One input and output, as well as with HDMI 2.0/2.1. In addition, the up-scaler functionality and Socionext's proprietary high picture quality technology of HV5 are capable of supporting the playback of Full HD (2K) / 4K video content on 8K panels with the optimum quality.



SC1H05AT1 Usage: 8K TV System

[\(view larger image\)](#)

SC1H05AT1	
Input Interface	V-By-One [®] HS 4 Lane x 5 HDMI 2.1 / HDCP 2.3 x 1
Output Interface	V-By-One [®] HS 8 Lane x 8
Image Processing	8K Up-Scaler, Super-resolution (8K PLUS), HDR, MEMC frame rate exchange, Local Dimming Control
Memories	DDR4-2400/2667MHz 32bit x 3ch

About Socionext Inc.

Socionext is a global, innovative enterprise that designs, develops and delivers System-on-Chip solutions to customers worldwide. The company is focused on imaging, networking, computing and other dynamic technologies that drive today's leading-edge applications. Socionext combines world-class expertise, experience, and an extensive IP portfolio to provide exceptional solutions and ensure a better quality of experience for customers. Founded in 2015, Socionext Inc. is headquartered in Yokohama, and has offices in Japan, Asia, United States and Europe to lead its product development and sales activities. For more information, visit [socionext.com](https://www.socionext.com).

All company or product names mentioned herein are trademarks or registered trademarks of their respective owners. Information provided in this press release is accurate at time of publication and is subject to change without advance notice.